

SUPPLEMENT

FORD TRACTOR

with

Ferguson System

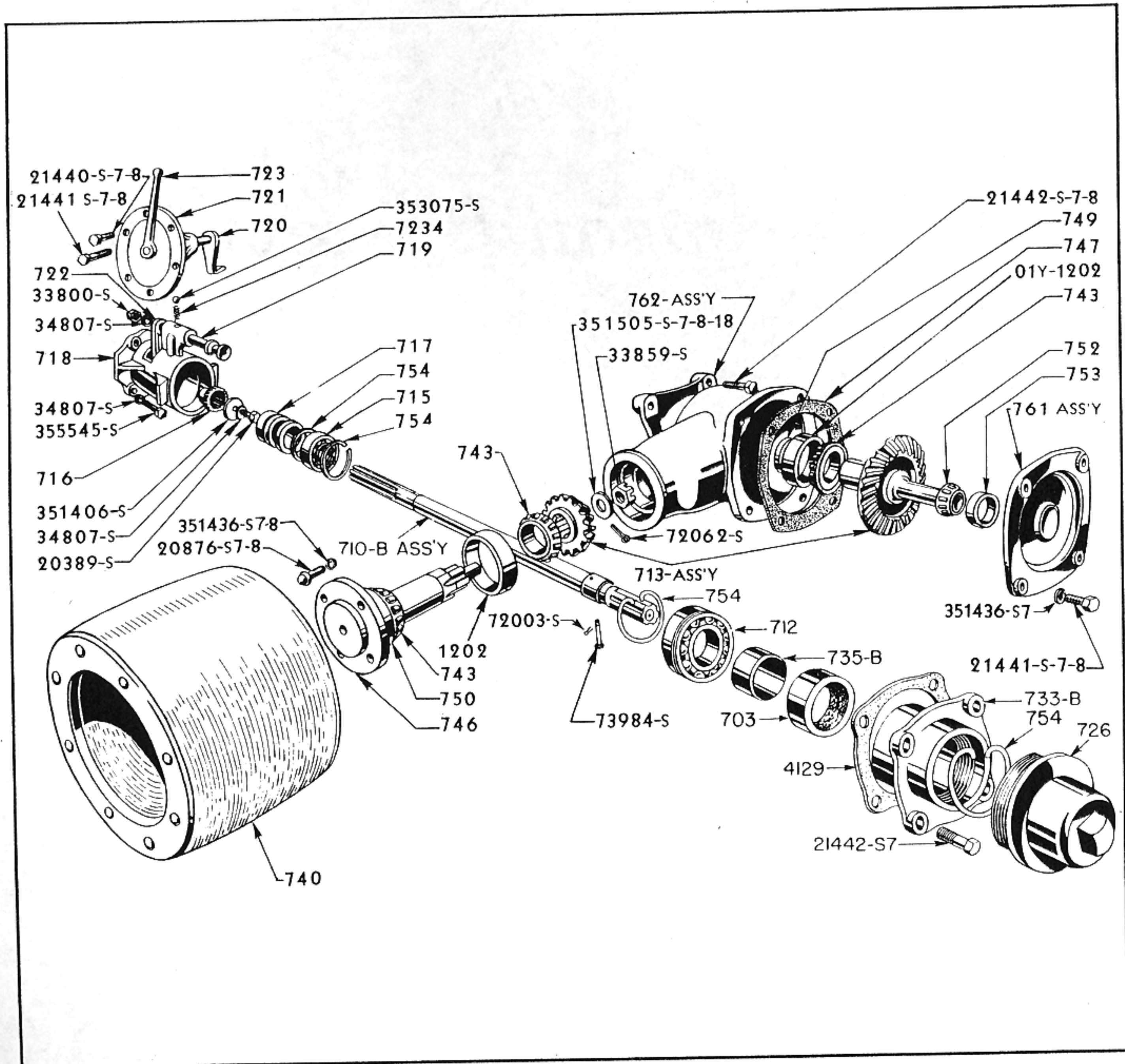
SERVICE PARTS PRICE LIST

JULY, 1943

HARRY FERGUSON, Inc.
Dearborn, Mich.

TRACTOR PARTS PRICE SUPPLEMENT

Part No.	Price	Part Name	Unit	Year	Remarks
HYDRAULIC LIFT					
2N-574	*.38	Pin-Lynch	4	39-43	Replaces 9N-574
2N-575	.04	Ring-Lynch Pin Locking	2	39-43	Replaces 9N-575
2N-576	5.20	Link Assembly-Upper	1	39-43	Replaces 9N-576
20878-S7-8		Bolt (Hex Hd.)-Upper Link Assembly	2	39-43	
351428-S7-8		Washer (Plain)-Upper Link Assembly	2	39-43	
33792-S7-8		Nut (Hex.)-Upper Link Assembly	2	39-43	
2N-624	.17	Support-Control Spring Seat	1	39-43	See Service Bulletin No. 177
9N-525-B	.45	Spring Seat-Hyd. Lift	1	39-43	Replace with latest design or rework old part.
9N-529	.01	Felt-Spring Seat	1	39-43	
21441-S7		Bolt (Hex. Hd.) Hyd. Lift Cover Plate .	3	39-43	



*Not Subject to Regular Discount

TRACTOR PARTS PRICE SUPPLEMENT

Part No.	Price	Part Name	Unit	Year	Remarks
POWER TAKE-OFF SHAFT ASSEMBLY AND MISCELLANEOUS PARTS					
9N-700-C	\$14.30	Power Take-Off Shaft Assy.	1	39-43	Replaces 9N-700-B as a complete assy.
9N-703	*.90	Seal-Power Take-Off Oil.....	1	39-43	For service with 9N-700-C only.
9N-710-B	6.00	Shaft and Sleeve Assy. - Power Take-Off	1	39-43	For service with 9N-700-C only.
73984-S		Pin-Power Take-Off Shaft	1	39-43	
72003-S7- 8		Pin (Cotter)-For Clevis Pin	1	39-43	
9N-712	2.60	Bearing Assy.-(Rear) P.T.O.	1	39-43	
9N-726	.85	Cap-Power Take-Off	1	39-43	
9N-733-B	2.10	Cover-Power Take-Off	1	39-43	For service with 9N-700-C only.
9N-4129	.04	Gasket-P.T.O. Cover	1	39-43	
21442-S7		Bolt (Hex. Hd.)-P.T.O. Housing Cover ..	4	39-43	
9N-735-B	.64	Sleeve-Power Take-Off	1	39-43	For service with 9N-700-C only.
9N-754	.05	Ring (Snap)-P.T.O. Bearing	2	39-43	
2N-3126	*2.50	Pin-Front Axle	1	39-43	Interchangeable with 9N-3126-A
350635-S7-8		Bolt (Hex. Hd.)-Front Axle Pin	1	39-43	
33790-S7-8		Nut (Check-Hex)-Axle to Support	1	39-43	
2N-3512	1.20	Instrument Panel Assembly	1	39-43	Interchangeable with 9N-3512
350483-S7-8		Bolt (spl. Carriage)-Inst. Panel Lower to Upper Strg. Housing	2	39-43	
34806-S7-8		Washer (Lock)-Inst. Panel Lower to Upper Steering Housing	2	39-43	
33798-S7-8		Nut (Hex)-Inst. Panel Lower to Upper Steering Housing	2	39-43	
2N-3600	4.40	Wheel Assembly-Steering	1	39-43	Replaces 9N-3600-B
351103-S22		Nut-Steering Wheel	1	39-43	
2N-3673	.28	Washer-Steering Wheel	1	39-43	Use with 2N-3600
2N-6319	.43	Ratchet-Crankshaft	1	39-43	Replaces B-6319-A
2NC-6513	.30	Spring-Valve	8	39-43	
2N-8620	.94	Belt-Fan	1	39-43	Tractor with Magneto only

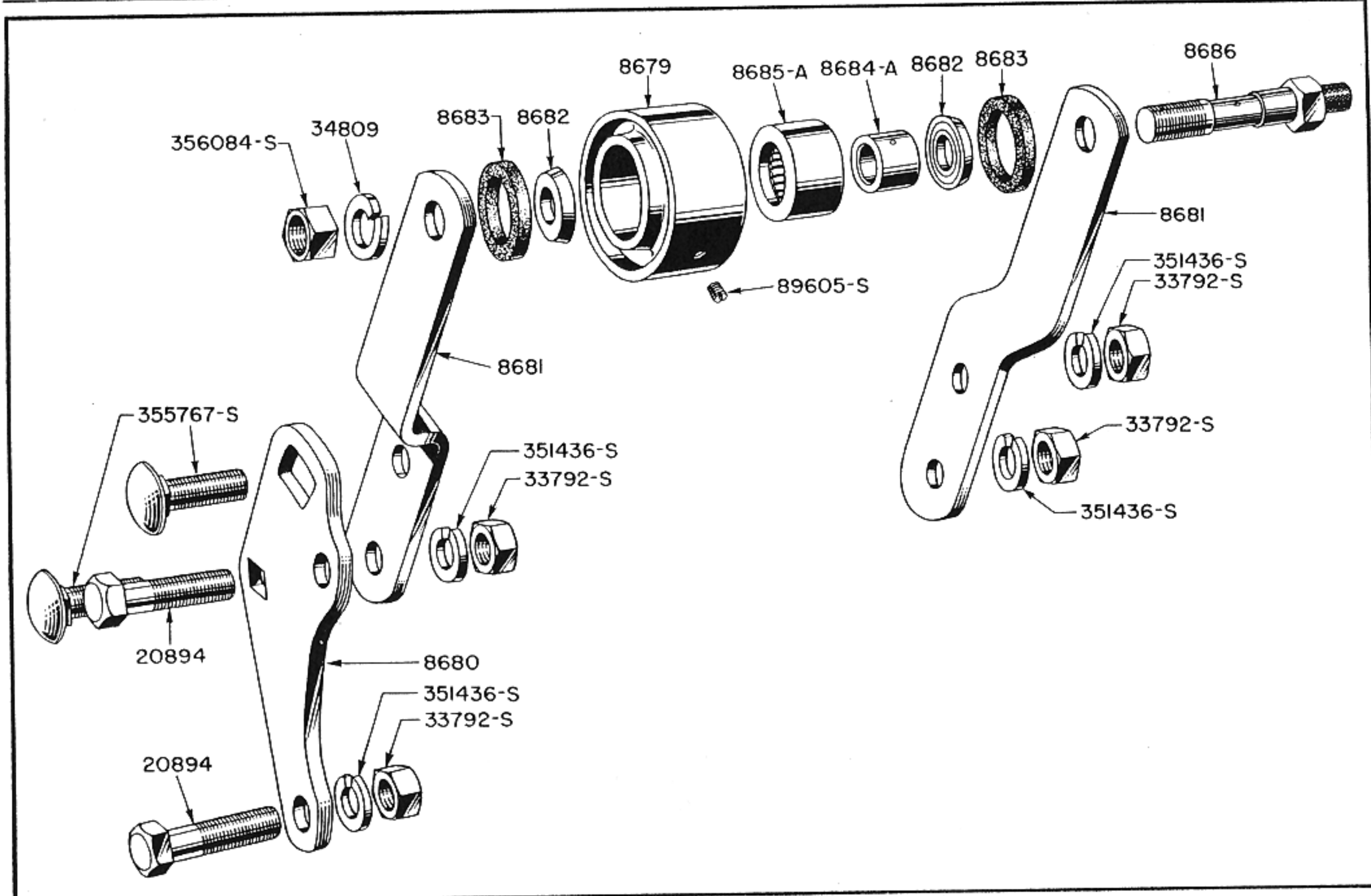
IDLER PULLEY ASSEMBLY

2N-8678	*6.50	Idler Pulley Assy.-Fan Belt	1	39-43	Tractor with Magneto only
20894-S7-8		Bolt (Hex.Hd.)-Idler Brkt. to Front Motor Support	2	39-43	
351436-S7-8		Washer (Lock)-Idler Brkt. to Front Motor Support	2	39-43	
33792-S7-8		Nut (Hex.)-Idler Bracket to Front Motor Support	2	39-43	
2N-8679	*1.45	Pulley-Fan Belt Idler	1	39-43	Tractor with Magneto only
89605-S		Set Screw (Cup Point)-Pulley	1	39-43	
2N-8680	*.52	Bracket-Fan Belt Idler	1	39-43	Tractor with Magneto only
355767-S		Bolt (Hex. Hd.)-Idler Arm to Idler Bracket	2	39-43	
351436-S7-8		Washer (Lock)-Idler Arm to Idler Bracket	2	39-43	

*Not Subject to Regular Discount

TRACTOR PARTS PRICE SUPPLEMENT

Part No.	Price	Part Name	Unit	Year	Remarks
----------	-------	-----------	------	------	---------



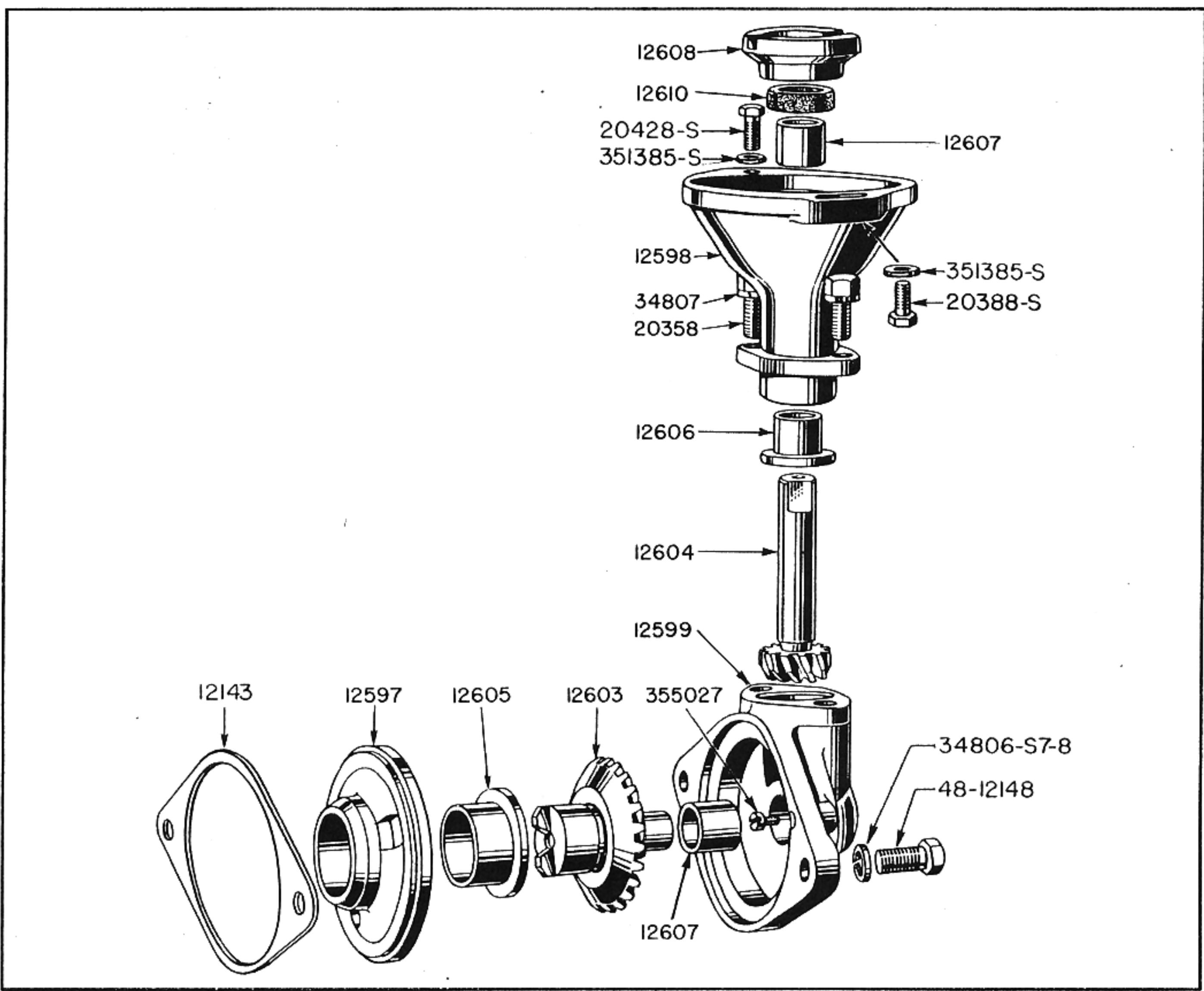
IDLER PULLEY ASSEMBLY (CONT'D) AND MISCELLANEOUS PARTS

33792-S7	*.24	Nut (Hex.)-Idler Arm to Idler Bracket .	2	39-43	
2N-8681		Arm-Fan Belt Idler	2	39-43	Tractor with Magneto only
2N-8682	*.25	Spacer-Fan Belt Idler	2	39-43	Tractor with Magneto only
2N-8683	*.05	Seal-Idler Dust	2	39-43	Tractor with Magneto only
2N-8684-A	*.60	Race-Idler Inner	1	39-43	Tractor with Magneto only
2N-8685-A	*1.35	Race-Idler Outer	1	39-43	Tractor with Magneto only
2N-8686	*.67	Bolt-Idler Pulley	1	39-43	Tractor with Magneto only
34809-S7-8		Washer (Lock)-Idler Pulley through Bolt	1	39-43	
356084-S7-8		Nut (Hex.)-Idler Pulley through Bolt ..	1	39-43	
2N-9510	8.80	Carburetor Assy.	1	39-43	Replaces 9N-9510-A
20356-S7		Bolt (Hex. Hd.)-Manifold to Carburetor.	2	39-43	
34806-S7-8		Washer (Lock)-Manifold to Carburetor Bolt	2	39-43	
9N-9447	.02	Gasket-Carburetor to Manifold	1	39-43	
2N-9546	.45	Choke Lever & Shaft Assy.	1	39-43	
2N-9700-A	.13	Rod Assy.-Choke Control	1	39-43	Tractor with Magneto only
2N-9700-B	.13	Rod Assy.-Choke Control	1	39-43	Tractor with Generator without Starter
2N-9718	.05	Clip-Choke Rod-Front	1	39-43	Tractor with Magneto only

*Not Subject to Regular Discount

TRACTOR PARTS PRICE SUPPLEMENT

Part No.	Price	Part Name	Unit	Year	Remarks
STARTER AND CONDUIT					
2N-11453	.14	Cover-Starters Switch	1	39-43	Tractor with Magneto only
20310-S7		Bolt (Hex. Hd.)-Cover to Steering Gear Housing	2	39-43	
34806-S7-8		Washer (Lock)-Cover to Steering Gear Housing	2	39-43	
33798-S7-8		Nut (Hex.)-Cover to Steering Gear Housing	2	39-43	
2N-12112	1.23	Conduit-Spark Plug Wires	1	39-43	Tractor with Magneto only
2N-12283	.23	Wire (Cylinder No. 3)-Magneto to Spark Plug	1	39-43	Tractor with Magneto only
2N-12284	.22	Wire (Cylinder No. 2)-Magneto to Spark Plug	1	39-43	Tractor with Magneto only
2N-12286	.26	Wire (Cylinder No. 4)-Magneto to Spark Plug	1	39-43	Tractor with Magneto only
2N-12287	.23	Wire (Cylinder No. 1)-Magneto to Spark Plug	1	39-43	Tractor with Magneto only



*Not Subject to Regular Discount

TRACTOR PARTS PRICE SUPPLEMENT

Part No.	Price	Part Name	Unit	Year	Remarks
MAGNETO AND MAGNETO DRIVE ASSEMBLY AND MISCELLANEOUS PARTS					
2N-12500-A	*26.00	Magneto Assy.	1	39-43	Tractor with Magneto only
20388-S2		Bolt (Hex. Hd.)-Magneto to Magneto Upper Housing	1	39-43	
20428-S		Bolt (Hex. Hd.)-Magneto to Magneto Upper Housing	1	39-43	
351385-S		Washer (Flat)-Magneto to Magneto Upper Housing	2	39-43	
2N-12524	.02	Gasket-Magneto Drive	1	39-43	
2N-12597	*.92	Adapter Plate Assy.-Magneto Drive	1	39-43	
2N-12598	*2.45	Housing Assy.-Upper Magneto Drive	1	39-43	
20358-S		Bolt (Hex. Hd.)-Magneto Housing Upper to Lower	2	39-43	
34807-S		Washer (Lock)-Magneto Housing Upper to Lower	2	39-43	
2N-12599	*2.20	Housing Assy.-Lower Magneto Drive	1	39-43	
355027-S		Screw (Fill. Hd.)-Lower Magneto Housing	2	39-43	
9N-12143	.02	Gasket-Magneto Base-Lower Mag. Housing to Eng. Front	1	39-43	
48-12148	.02	Bolt (Hex. Hd.)-Magneto to Engine Front	2	39-43	
34806-S7-8		Washer (Lock)-Magneto to Engine Front	2	39-43	
2N-12600	*16.00	Magneto Drive Assy.	1	39-43	
2N-12603	*4.50	Gear Assy. - Magneto Drive	1	39-43	
2N-12604	*3.25	Driven Gear-Magneto Drive	1	39-43	
2N-12605	.35	Flange Bushing-Lower Magneto Drive	1	39-43	
2N-12606	.32	Flange Bushing-Upper Magneto Drive	1	39-43	
2N-12607	.23	Bushing-Magneto Drive	2	39-43	
2N-12608	*1.40	Coupling-Magneto Drive	1	39-43	
2N-12610	.03	Wick-Oil Reservoir	1	39-43	
2N-16618	2.25	Panel-Hood Side Assy. R.H.	1	39-43	Replaces 9N-16618
20318-S7		Bolt (Hex. Hd.)-Hood Side to Rad. Grille Lower Support	2	39-43	
34806-S7-8		Washer (Lock)-Hood Side to Support Bolt	2	39-43	
20311-S7		Bolt (Hex. Hd.)-Hood Top to Hood Side Rear	2	39-43	
33798-S7-8		Nut-(Hex.)-Hood Top to Hood Side Bolt	2	39-43	
34806-S7-8		Washer (Lock)-Hood Top to Hood Side ...	2	39-43	
20311-S7		Bolt (Hex. Hd.)-Hood Side to Support Lower Bracket	1	39-43	
34806-S7-8		Washer (Lock)-Hood Side to Support Rad. Bracket Bolt	1	39-43	
33798-S7-8		Nut (Hex.)-Hood Side to Support Lower Bracket Bolt	1	39-43	
2N-17040-A	1.94	Crank-Starter	1	39-43	
2N-17042	.08	Spring-Crank	1	39-43	
2N-18224	.03	Pin (Grooved)-Drive	1	39-43	

* STANDARD PARTS

Part No.	Price	Part Name
20318-S7	.01	5/16 - 18 x 9/16" Hex. Head Bolt
	.75-C	
20358-S	.02	5/16 - 18 x 13/16" Hex. Head Bolt
89605-S	.09	#8 - 32 x 1/2" Cup Point Set Screw
350483-S	.03	5/16 - 24 x 1" Special Carriage Bolt
351385-S	.02	3/8 I.D. x 3/4 O.D. x .09" Thick Special Flat Washer
	1.20-C	
355767-S	.06	7/16 - 20 x 1.12" Hex. Head Bolt

* The above Parts do not appear on previously printed Price Lists.

*Not Subject to Regular Discount

REVISED TRACTOR PARTS PRICE LIST (Effective June 16, 1943)

Part No.	Price	Part Name	Unit	Year	Remarks
9N-533	\$.13	Ring-Hydraulic Lift Piston	3	39-43	
9N-554	.38	Bearing Assy.-Hydraulic Lift Leveling Gear	1	39-43	
9N-582	.45	Clevis-Lower Link, Anchor Chain	4	39-43	
9N-583-A	.17	Clip and Chain Assy. (Lower Link)	2	39-43	
9N-583-B	.17	Clip and Chain Assy. (Lower Link) (2 in line Holes)	2	39-43	
9N-590	.11	Chain and Anchor Assy. - Upper Link, Front, R.	1	39-43	
9N-598	1.25	Chain Assy. (Lower Link Anchor)	2	39-43	
9N-611	.32	Gasket-Hydraulic Pump (Bottom)	1	39-43	
9N-613	.16	Gasket-Hydraulic Pump	2	39-43	
9N-714	.08	Washer-Power Take-Off	1	39-43	
9N-747	.10	Gasket-P.T.O. Cover	1	39-43	
9N-760	*37.00	Power Take-Off and Pulley Assy.	1	39-43	
9N-2030	.43	Equalizer Assy.-Brake	2	39-43	
9N-2034	.07	Spring (Return)-Brake Shoe	2	39-43	
9N-2040	1.16	Bracket (Adjusting) Brake	2	39-43	
9N-2043	.03	Cap-Brake Adjusting Bracket	2	39-43	
9N-2069	.02	Pin (Hold Down)-Brake Shoe	2	39-43	
9N-2209-B	15.30	Brake Assy.-R.H.-With Seal	1	39-43	
9N-2210-B	15.30	Brake Assy.-L.H.-With Seal	1	39-43	
9N-2227	.25	Bushing-Graphite	2	39-43	
9N-2252	.62	Ring-Brake Dust Seal	2	39-43	
9N-2304	.89	Bracket-Brake Camshaft	2	39-43	
9N-3517	.36	Bearing-Steering Sector	4	39-43	
9N-4035	.22	Gasket-Rear Axle Differential Housing	2	39-43	
9N-4662	.22	Gasket-Differential to Trans. Housing.	1	39-43	
9N-5255	.42	Pipe (Outlet)-Muffler	1	39-43	
9N-5370	1.00	Chain and Wedge Assy.-Drawbar	1	39-43	
9N-6051	.65	Gasket-Cylinder Head	1	39-43	
9N-6211-A	.26	Liner-Connecting Rod Bearing-Standard.	8	39-43	
9N-6331-A	.82	Liner-Standard-Main Bearing Center ...	2	39-43	
9N-6521	.11	Gasket-Valve Chamber Cover	2	39-43	
9N-6710	.13	Gasket-Oil Pan R.H.	1	39-43	
9N-6711	.13	Gasket-Oil Pan L.H.	1	39-43	
9N-7120	1.41	Bearing Assy.-Transmission Pilot	1	39-43	
9N-7223-A	.16	Gasket-Gear Shift Housing (on 7005-A Housing)	1	39-43	
9N-7223-B	.16	Gasket-Gear Shift Housing	1	39-43	
9N-7561	.81	Hub-Clutch Release Bearing	1	39-43	
9N-7562	.09	Spring-Clutch Release Bearing	2	39-43	
9N-8032-A2	.50	Pad-Radiator Filler Neck	1	39-43	
9N-8215	.42	Ornament-Radiator	1	39-43	
9N-8260	.26	Hose-Radiator	1	39-43	
9N-8600-B	2.91	Fan Assy. (6-Blade Pusher Type)	1	39-43	
9N-8600-C	2.79	Fan Assy. (6-Blade Pull Type)	1	39-43	
9N-8620-B	1.07	Belt-Fan (Long, for C Generator)	1	39-43	
9N-9155-A	2.12	Sediment Bulb Assy.	1	39-43	
9N-9164-A	1.94	Valve Body Assy.-Sediment Bulb	1	39-43	
9N-9166	.19	Clamps, Wire and Screen Assy.-Sediment Bulb	1	39-43	
9N-9282-A	.33	Fuel Line Assy.	1	39-43	
9N-9510-A	9.10	Carburetor Assy.	1	39-43	
9N-9553	.58	Strainer and Elbow Assy.	1	39-43	
9N-9565-A	.58	Needle Assy.-Main Adjustment	1	39-43	
9N-9703	.25	Knob-Choke	1	39-43	
9N-11450-A	1.25	Switch-Starter Assy. (In Dash)	1	39-43	
9N-11450-B	1.69	Switch-Starter Assy.-(Foot Control) ..	1	39-43	
9N-11506	.99	Starter Button Assy.	1	39-43	
9N-11652	1.28	Switch Assy.-Lighting with Connector Wires	1	39-43	

*Not Subject to Regular Discount

REVISED TRACTOR PARTS PRICE LIST (Effective June 16, 1943)

Part No	Price	Part Name	Unit	Year	Remarks
9N-11653-B	\$ 2.54	Wiring Assy.-Lighting Less Switch ..	1	39-43	
9N-12162	.61	Arm-Distributor Breaker	1	39-43	
9N-12250-B	.49	Resistor	1	39-43	
9N-13002	4.96	Head Lamp Assy. R.H.	1	39-43	
9N-13003	4.96	Head Lamp Assy. L.H.	1	39-43	
9N-13031	.04	Spring-Head Lamp Reflector	3	39-43	
9N-13045	.94	Door-Head Lamp Assy.	2	39-43	
9N-13060	.88	Lens-Head Lamp	2	39-43	
9N-13404	2.50	Lamp and Bracket Assy.-Rear ...	1	39-43	
9N-13445	.25	Lens (White)-Tail Lamp License Plate .	1	39-43	
9N-13448	.44	Door-Rear Lamp	1	39-43	
9N-13450	.44	Lens (Red)-Rear Lamp	1	39-43	
9N-14300-A	.61	Cable Assy.-Battery to Switch	1	39-43	
9N-14300-C	1.26	Cable Assy.-Battery to Switch	1	39-43	
9N-14401-E	1.47	Wiring Assy.-Dash to Coil(Less Conduit and Spark Plug Wires)	1	39-43	
9N-14431-B	.63	Cable Assy.-Starter Switch to Starter.	1	39-43	
9N-16600	.46	Ornament-Hood	1	39-43	
9N-16625	.66	Stud and Handle-Hood Top Battery	1	39-43	
9N-18186	2.49	Lower Race Assy.-Governor	1	39-43	
9N-18187	2.95	Drive Shaft Assy.-Governor	1	39-43	
9N-18188	.66	Upper Race Assy.-Governor	1	39-43	
9N-18189	1.74	Lever Assy.-Governor	1	39-43	
9N-18194	.45	Base (Fork)-Governor	1	39-43	
9N-18438	18.11	Kit-Lighting	1	39-43	
9N-18667	.22	Tube-Oil Filter Inlet	1	39-43	
9N-18676	.33	Tube-Oil Pressure Gauge	1	39-43	
9N-18688	.11	Gasket-Oil Filter Cover	1	39-43	